

# PRIMERGY TX120

## *System configurator and order-information guide*

November 2007

### Contents

Instructions

Configuration diagram

Configurator

Software Configurator IA32 and EM64T

I Basic unit

II Processor

III Memory

IV Graphics

V Accessible drives

VI Hard disk drives

VII Disk array

VIII Communication/Network

IX System management options

X Country specific power cords

Change report



**PRIMERGY Server**

# Instructions

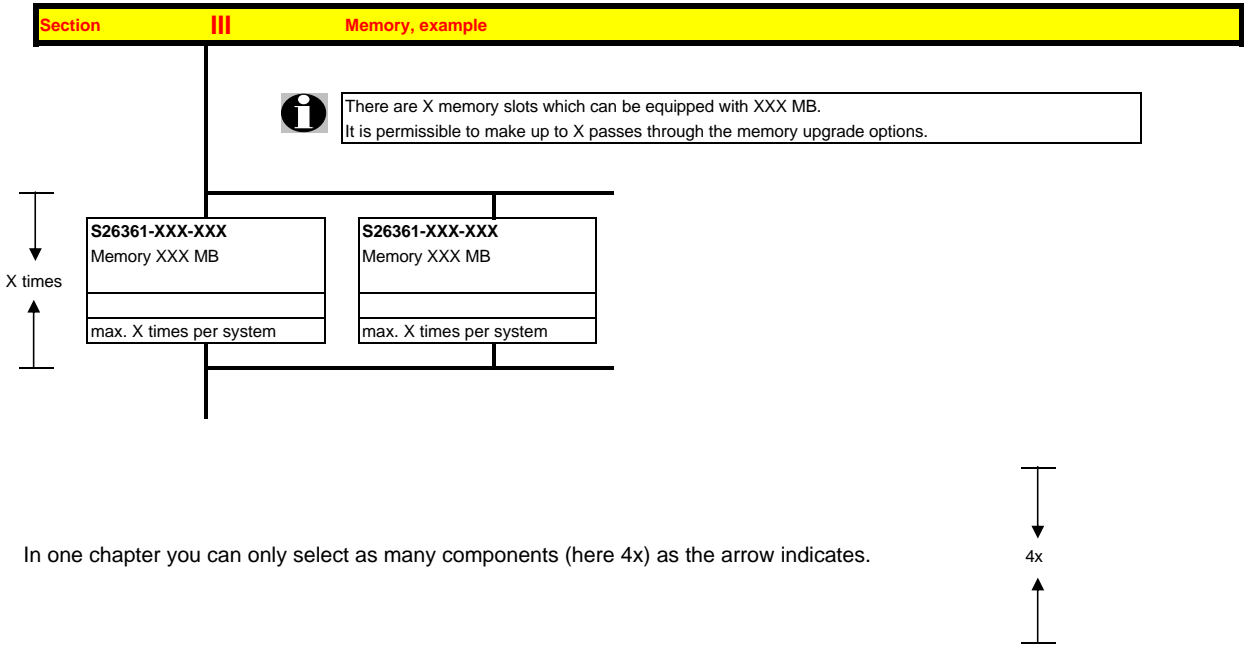
This document contains basic product and configuration information that will enable you to configure your system via PC-/ System-Architect.

Only these tools will ensure a fast and proper configuration of your PRIMERGY server or your complete PRIMERGY Rack system.

You can configure your individual PRIMERGY server in order to adjust your specific requirements.

The System configurator is divided into several chapters that are identical to the current price list and PC-/ System-Architect

Please follow the lines. If there is a junction, you can choose which way or component you would like to take. Go through the configurator by following the lines from the top to the bottom.



In one chapter you can only select as many components (here 4x) as the arrow indicates.

Please note that there are information symbols which indicate necessary information.



**Further information in the internet see:**

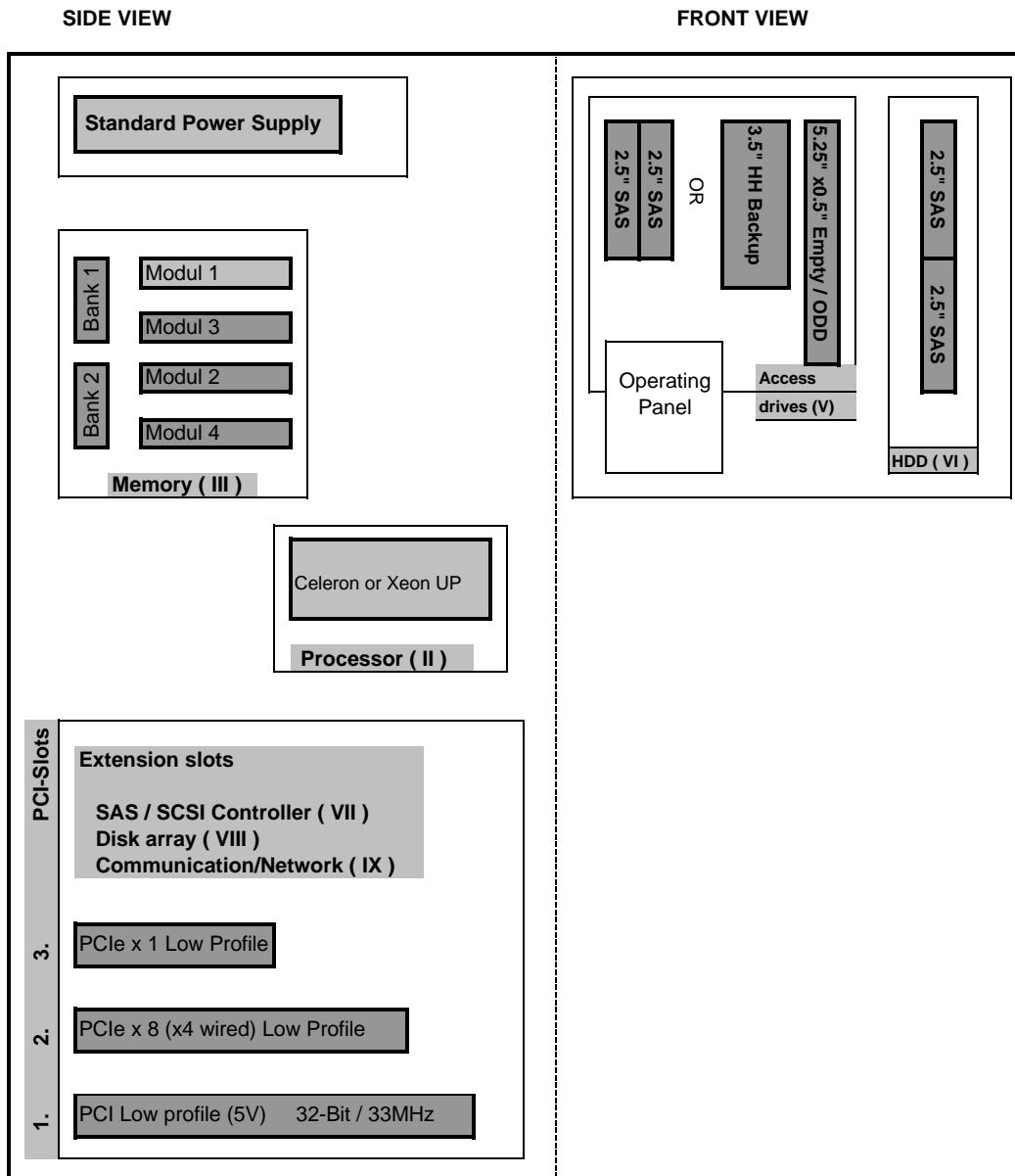
<http://www.primergy.com> (internet)

<http://extranet.fujitsu-siemens.com/primergy> (extranet)

Prices and availability see price list and PC-/ System-Architect  
Subject to change and errors excepted

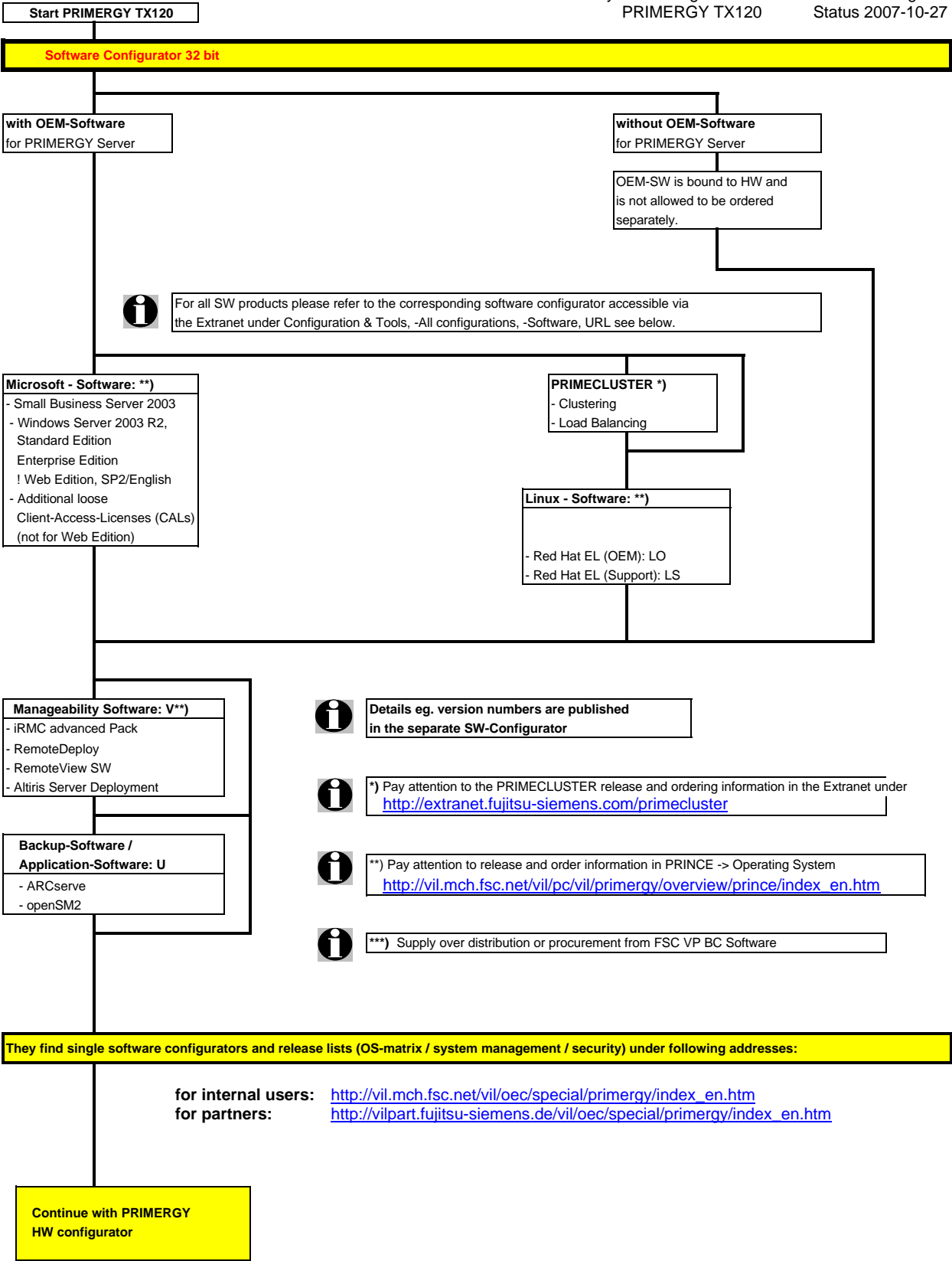
## Configuration diagram PRIMERGY TX120

### System unit ( I )



Key:

- Included in basic unit
- Option



Start PRIMERGY TX120

**Software Configurator 64 bit**

with OEM-Software  
for PRIMERGY Server

without OEM-Software  
for PRIMERGY Server

OEM-SW is bound to HW and is not allowed to be ordered separately.



For all SW products please refer to the corresponding software configurator accessible via the Extranet under Configuration & Tools, -All configurations, -Software, URL see below.

only EM64T	<b>Microsoft - Software: W</b>
	- Windows Server 2003 R2, Standard x64 Edition Enterprise x64 Edition - Additional loose Client-Access-License (CALs)

only EM64T	<b>Linux - Software *) **</b>
	- Red Hat EL (OEM): LO - Red Hat EL (Support): LS

<b>Manageability Software: V**)</b>
- iRMC advanced Pack - RemoteDeploy - RemoteView SW



Details eg. version numbers are published in the separate SW-Configurator



\*) Pay attention to the PRIMECLUSTER release and ordering information in the Extranet under <http://extranet.fujitsu-siemens.com/primecluster>



\*\*\*) Pay attention to release and order information in PRINCE -> Operating System [http://vil.mch.fsc.net/vil/pc/vil/primerqy/overview/prince/index\\_en.htm](http://vil.mch.fsc.net/vil/pc/vil/primerqy/overview/prince/index_en.htm)



\*\*\*\*) Supply over distribution or procurement from FSC VP BC Software

**You'll find single software configurators and release lists (OS-matrix / system management / security) under following addresses:**

for internal users: [http://vil.mch.fsc.net/vil/oc/special/primerqy/index\\_en.htm](http://vil.mch.fsc.net/vil/oc/special/primerqy/index_en.htm)  
 for partners: [http://vilpart.fujitsu-siemens.de/vil/oc/special/primerqy/index\\_en.htm](http://vilpart.fujitsu-siemens.de/vil/oc/special/primerqy/index_en.htm)

**Continue with PRIMERGY HW configurator**

**System unit consisting of:**

- \* Housing including standard power supply (no redundancy)
- \* Sliding screen with lock (only for floorstand version)

**Systemboard with:****\* 3 PCI slots:**

- 1x PCIe x 1
- 1x PCIe x 4 (x8 Slot)
- 1x PCI Low Profile 32Bit / 33MHz (5V)

- \* 4 memory slots for up to 8GB (PC2-5300) unbuffered DDR2 RAM (ECC), max. 2GB modul per slot

- \* 2 bays for accessible drives: 1x 3.5" + 1x 5.25" (occupied by optical drive)

- \* 2 (4) bays 1" for hot-plug SAS HD

- \* Intel Broadcom (5754) 10/100/1000 Mb/s on-board

- \* 1 x Fast-IDE (ATA) Controller on-board (for 1x 2 devices)

- \* 4-Port SAS Controller LSI 1064 on-board

with HW RAID IME (IME = Integrated Mirroring Enhanced)

- \* iRMC (integrated Remote Management Controller) on-board server management and graphics controller

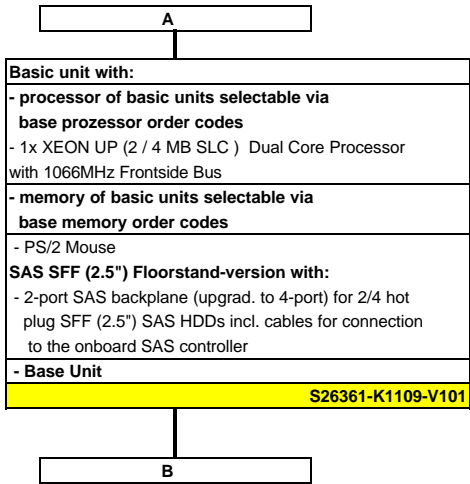
Resolution: 1280 x 1024 at 8bpp or 1024 x 768 at 16 bpp

**Cables:**

1. IDE cable for DVD
2. SAS cable for connection of the HD backplane (also for HDD extension box)

**PS/2 mouse****ServerView Suite Software package incl. ServerStart, ServerBooks, Management Software and Updates****Interfaces:**

- 1x RS-232-C (serial, 9 pins)
- 1x keyboard (PS/2)
- 1x mouse (PS/2)
- 1x VGA (15 pins)
- 5x USB 2.0 (2x external at the rear, 2x external at the frontside,
  - 1x internal USB Interface with connector type B for backup devices - cable is delivered with Backup device)
- 1x LAN RJ45 + 1 x Service LAN



B

**Section II Processor**

**Note\*\*:** The CPU is not included in the base unit and has to be configured separately.

\*\* see note above

1x

<b>S26361-F3264-E304</b> CPU Xeon UP 3040 DC 1.86GHz/1066MHz/2MB occupies socket for one CPU max. 1x per system	<b>S26361-F3264-E307</b> CPU Xeon UP 3070 DC 2.66GHz/1066MHz/4MB occupies socket for one CPU max. 1x per system	<b>S26361-F3264-E440</b> CPU Celeron 440 2.00GHz/800MHz occupies socket for one CPU max. 1x per system
---	---	--

**Section III Memory**

**i** There are 2 memory banks with 2 DIMM slots each.  
**Single channel memory configuration allow maximum flexibility:**  
 Additional memory can be configured as single memory modules.  
**Dual channel memory configurations for maximum performance:**  
 For optimum performance memory has to be configured in pairs of memory modules with identical size.  
**Note\*\*:** Memory is not included in the base unit and has to be configured separately, min 1x.

\*\* see note above

4x

<b>S26361-F3237-E513</b> Main memory <b>512MB</b> DDR2 667/PC2-5300 ub ECC consisting of one module occupies one slot max. 4x per system	<b>S26361-F3237-E514</b> Main memory <b>1GB</b> DDR2 667/PC2-5300 ub ECC consisting of one module occupies one slot max. 4x per system	<b>S26361-F3237-E515</b> Main memory <b>2GB</b> DDR2 667/PC2-5300 ub ECC consisting of one module occupies one slot max. 4x per system
---	---	---

**Section IV Graphics**

**i** Graphics Controller is included in integrated remote Management Controller iRMC.  
 ( 1280 x 1024 at 8bpp, 1024 x 768 at 16bpp, Resolution 85Hz )

<b>S26361-F2748-E631</b> PY VGA LP card 128MB PCI-e x1 NVIDIA NVS285 128 MB PCI-e-x1 2x DVI or 2x VGA or 1x DVI plus 1x VGA cables adapters included Dual head + fully 3-D supported for Windows OS not supported for Linux OS (native) low profile bracket max. 1x per system
---

The high end optional NVIDIA NVS285 graphic card offers dual head operation and fully 3D video support.  
 The cables for either two times DVI or VGA connections are part of the delivery.  
**Remote Video direction via iRMC must be disabled.**  
 This PCIe-x1 card can also be installed in any PCIe-x4, x8 or x16 slot.  
 Only one card per server is allowed.  
**Hint:** Graphics controller can be configured in Slot 3 only (PCIe x1)

C



C

**Section V Accessible drives**

**i** There are 2x 5.25" bays for accessible drives:  
 - 1x 5.25" bay is occupied by a 0.5" DVD respectively a DVD-RW drive  
 - 1 x 3.5" bay remaining, can be occupied by 1x 1.6" backup drive or 2x 2.5" HDD

**i** Setup of PRIMERGY TX120 by ServerStart is supported with following configurations:  
**no DVD:**  
 remote installation only ( PXE service & DHCP server required)  
**built in DVD:**  
 UNC Network share reachable or USB Floppy or MemoryBird connected

**i** If installation is done locally, make sure you have internal or external FDD available for driver installation.

Following USB Components are available	
1) USB DVD+-RW: Super Multi DVD slim drive	S26391-F7119-L100 (USB cable included)
2) FDD USB (external): external USB FDD	S26391-F264-L226 (USB cable included)
3) USB Keyboard: KBPC PX D, professional keyboard	S26381-K340-V120
4) USB Mouse: Optical Wheel Mouse Tilt USB/PS2	S26381-K415-L100
5) USB Memorybird: Memorybird 2GB	S26391-F6047-L102
Memorybird 4GB	S26391-F6047-L104

**S26361-F3123-E1**  
 CD-RW / DVD drive 0.5"  
 24/24/24x / 8x ATAPI  
 CD-RW only with W2K, W3K, Linux  
 0.5 x 5.25", anthracite bezel  
 max. 1x per system

**S26361-F3236-E1**  
 DVD-RW 8x super multi drive  
 all formats, DUAL/DL, DVD-RAM  
 only W2K, W3K and Linux  
 0.5 x 5.25", anthracite bezel  
 max. 1x per system

**S26361-F3324-E2**  
 Tape drive DDS Gen5 USB 3.5"  
 36GB, 3MB/s, USB 2.0  
 Connector: USB "B"  
 with USB cable  
 incl. description (Ger/US)  
 data and cleaning cartridge  
 1.6 x 3.5", anthracite bezel  
 max. 1x per system

**i** **S26361-F3324-L2**  
 Loose delivery of  
 Tape drive DDS Gen5 USB 3.5"

as soon as available  
**S26361-F3857-E2**  
 RDX drive USB 3.5" internal  
 80-160GB, 25MB/s, USB 2.0  
 Connector: USB "B"  
 with USB cable  
 incl. description (Ger/US)  
 without RDX cartridges  
 1.6 x 3.5", anthracite bezel  
 max. 1x per system

**i** RDX cartridges must be ordered separately  
 RDX 80GB = S26361-F3857-L80  
 RDX 120GB = S26361-F3857-L120  
 RDX 160GB = S26361-F3857-L160 (later)

D

D

available at E07/2007
<b>S26361-F2826-E120</b>
<b>HDD Extension for 2x hot plug</b>
Occupies <b>one 3.5" x 1.6" bay</b>
in the accessible bay area
- 2x 2.5" SAS HD's
max. 1 per system



HDD extension box allows configuration of 2 additional HDDs instead of Backup Device
4 HDD Configuration will allow an IME (integrated mirroring enhanced) RAID configuration only - No RAID5 capability

**Section VI Hard Disk Drives**

2x/4x

<b>S26361-F3208-E136</b>
HD 36GB 10krpm 2.5"
10000rpm,<4,5ms, 8MB Cache
<b>SAS 3Gb/s</b>
hot plug/hot replace tray
max. 2x/4x per base unit

<b>S26361-F3208-E173</b>
HD 73GB 10krpm 2.5"
10000rpm,<4,5ms, 8MB Cache
<b>SAS 3Gb/s</b>
hot plug/hot replace tray
max. 2x/4x per base unit

E

E

**Section VII Disk Array**

**on-board LSI - Controller**

**The system is equipped with a four channel SAS on-board controller and embedded "IME".**  
IME (Integrated Mirroring Enhanced) offers the RAID levels 0, 1, 1E without any additional costs.  
IME is a RAID 0, 1 implementation, whereby RAID 1 can operate with an odd number of hard disks.  
Up to 4 hard disks including one hot spare HD are possible (limited by HDD slots in system). Administration of IME is possible with the FSC tool ServerView RAID.  
Windows 2003 as well as SUSE and RedHat Linux are supported (Restrictions refer to Software Configurator)  
The SAS IME solution supports 2 independent RAID volumes.  
**No mixed configurations with SAS and SATA HD's released**  
**No additional components required.**

F

F

**Section VIII Communication / Network**

Gigabit Ethernet Contr. on-board
Broadcom 5754
ext: for RJ 45-connector
SW: AFT, VLAN, Fast Channel



The Intel LAN controllers 1000MT can be used with the on-board controller in Teaming Mode

<b>S26361-F3053-E201</b> (Everson II)
Gigabit Ethernet Controller 1000TX LP
Eth Ctrl 1x1Gbit PCI-X Pro/1000MT Cu LP
Intel PRO/1000 MT Server Adapter
PCI-X (PCI64/133), Low Profile
ext: for RJ45-connector, Cat 5
max. 1x per system

<b>S26361-F3142-E202</b> respin
(Stebbins2 LF respin)
Gigabit Ethernet Controller 1000TX LP
Eth Ctrl 1x1Gbit PRO/1000GT Cu LP
Intel Pro/1000 GT Desktop Adapter
PCI 32 (33/66MHz), Low Profile
ext: for RJ45-connector, Cat 5
max. 1x per system

<b>S26361-F3054-E201</b> (Baldry II)
Gigabit Ethernet Contr. 1000SX LP
Eth.Ctrl 1x1Gbit PCI-X Pro/1000MF LC LP
Intel PRO/1000 MF Server Adapter
PCI-X (PCI64/133), min 165 mm
ext:LC-connector
max. 1x per system

<b>S26361-F3228-E201 (Redwater)</b>
Gigabit Ethernet Contr. Dual 1000TX LP
Eth Ctrl 2x1Gbit PCIe PRO/1000PT Cu LP
Intel Pro/1000PT dual port Server Adapt.
PCIe x4, Low Profile
ext: for RJ45-plug, Cat 5
max. 1x per system

as soon as available
<b>S26361-F3462-E201 (Kirkwood 2)</b>
Gigabit Ethernet Controller Quad 1000TX LP
Eth Ctrl 4x1Gbit PCI-X PRO/1000PT Cu LP
Intel Pro/1000PT Quad Port Server Ad.
PCIe x4, low profile
ext: for RJ45-plug, Cat 5
max. 1x per system

<b>S26361-F3241-E201 (Glyndon)</b>
Gigabit Ethernet Contr. 1000TX LP
Eth Ctrl 1x1Gbit PCIe Pro/1000PT Cu LP
Intel PRO/1000 PT Server Adaptor
PCIe x1
ext: for RJ45-connector, Cat 5
max. 2x per system

max 3 x

G

G

**Section IX System management options**

**S26361-F1790-E240**  
**iRMC advanced pack**  
integrated remote management controller  
activation key for  
graphical console redirection  
and remote media redirection  
max. 1x per system

**S26361-F1790-E221**  
**RemoteView Software V5.0**  
Installation and configuration of  
RemoteView Web and LAN FrontEnd  
BMC-Manager, RTDS and FreeDOS  
Online manuals

H

H

**Section X Country specific power cords**

**i** A country specific power cord has to be ordered for all floorstand versions:  
 - once per basic unit and an additional second cable  
 - if a second hot plug, redundant power supply modul is ordered.

max. 1 x

**Power cord for following countries:**  
 1,8 m, grey

T26139-Y1740-E10	D, A, B, F, NL, FIN, S, N, E, P, RUS, TR
T26139-Y1742-E10	USA, Canada
T26139-Y1743-E10	Switzerland
T26139-Y1744-E10	UK, Ireland
T26139-Y1745-E10	Italy
T26139-Y1746-E10	Denmark
T26139-Y3850-E10	Option "no powercord", for Countries without specific cable orderable like e.g. China

**i** Attention: For connection of a monitor to the system an additional country specific power cord has to be ordered as option.

**Power cord for optional monitor connection for the following countries:**  
 1.8m, grey

T26139-Y1740-L10	D, A, B, F, NL, FIN, N, S, E, P, RUS, TR
T26139-Y1742-L10	USA, Canada
T26139-Y1743-L10	Switzerland
T26139-Y1744-L10	UK, IR
T26139-Y1745-L10	Italy
T26139-Y1746-L10	Denmark

**i** **Options and other peripherals**  
 For other options, refer to SystemArchitect and Pricelist.  
 These options are supplied lose with the shipment.  
 For suitable peripherals for this product, please refer to SystemArchitect.

**keyboards for floorstand versions for following countries:**

S26381-K397-E110	USA / international
S26381-K397-E120	Germany
S26381-K397-E140	France
S26381-K397-E155	Sweden / Finland
S26381-K397-E165	United Kingdom
S26381-K397-E180	Spain
S26381-K397-E185	Italy

End PRIMERGY TX120

